

## PF8 PORTABLE WIND SCREEN

### GENERAL DESCRIPTION

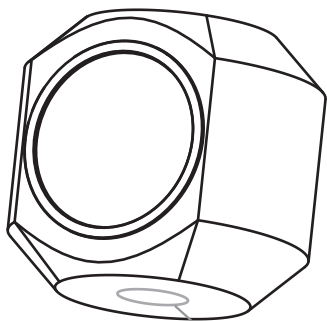
PF8 made of high quality noise reduction foam, the shape is cylinder cute and fashion. Through noise reduction foam can absorb and reflect the noise from surrounding. PF8 isolates your microphone in a quiet recording space. By focusing your voice to an isolated microphone, the PF8 is able to capture the complete spectrum of your voice and reduce much of the external environment, all the while giving you clear and concise vocals free of any coloration. PF8 wind screen can not only reduce the sound reflection during recording, but also reduce the wind and noise's disturb from outside effectively.

### FEATURES

- \* Optimize your sound;
- \* Reduce later modification;
- \* Integration wind screen;
- \* Reduce the environment noise.

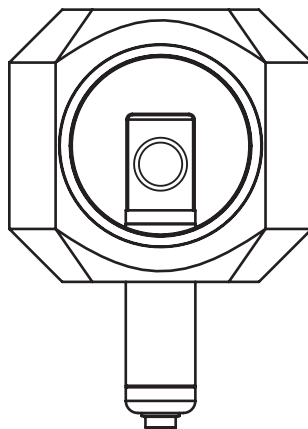
### HOW TO USE PF8

- 1** If your microphone's diameter is 48-58mm, you can direct put the mic into wind screen;



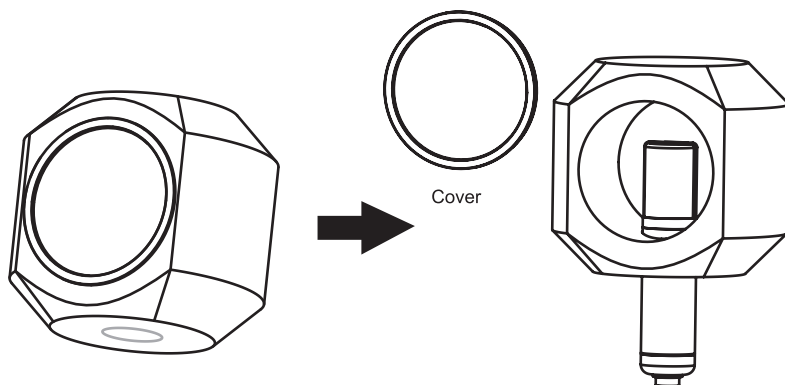
INSERTING HOLE

- 2** Insert the microphone into wind screen;

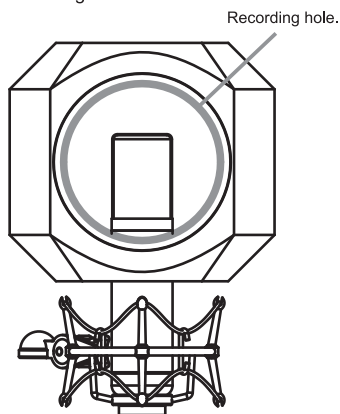


**3**

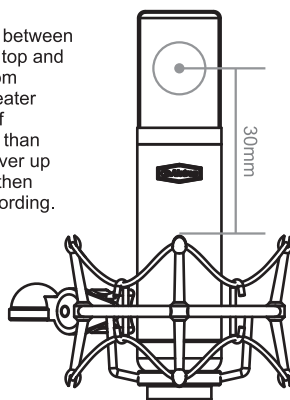
The wind screen's cover can be detachable;

**NOTE:****4**

The capsule's front should aim to recording hole.

**5**

The distance between shock mount top and capsule bottom should be greater than 30mm, if distance less than 30mm will cover up the capsule, then affect the recording.

**TECHNICAL SPECIFICATIONS**

* Length:	172mm
* Width:	200mm
* Height:	180mm
* Inserting hole diameter:	47mm
* Net weight:	122g

## PF8 便携式防风屏

### 产品介绍

PF8是一款采用优质降噪海绵设计加工而成降噪圆柱。通过降噪海绵对周围噪音进行吸音与反射，PF8能把您的麦克风隔离在一个安静的录音空间内，在录音和演唱过程中是麦克风能对您的声音进行专一的收录。PF8能够帮助您在录音过程中录制完整的声谱以及大大减少外部环境噪音，同时也让您录制的声音清晰纯净。PF8防风降噪屏不仅能减少室内录音的反射而且有效减少户外风和环境噪声对人声录制的干扰。

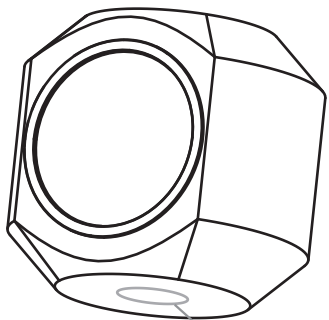
### 特点

- \* 优化您的声音；
- \* 减少后期声音修整；
- \* 集成防喷罩；
- \* 减少环境噪声。

### 如何使用PF8

1

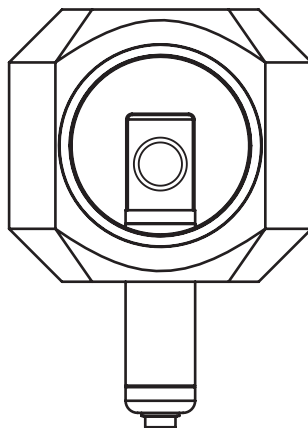
如果您的麦克风直径是48-58mm，您可以直接将麦克风放入防风屏；



插入孔

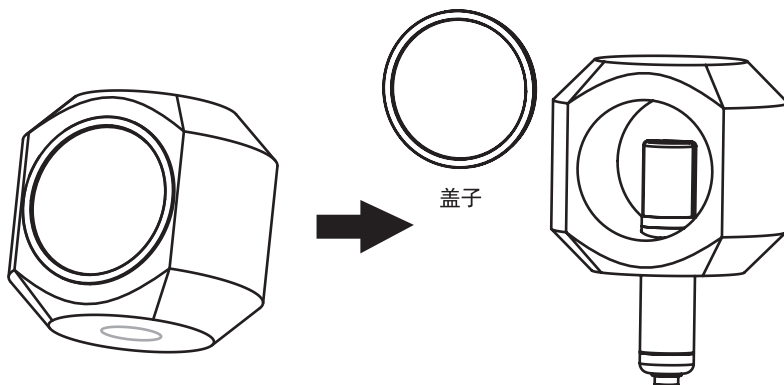
2

把麦克风放入防风屏；

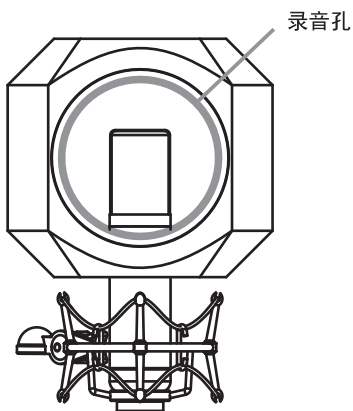


**3**

防风罩的盖子是可以拆卸的；

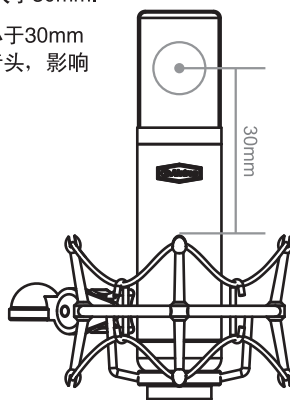
**NOTE:****4**

音头收音面正对着录音孔；

**5**

防震架最高点到音头最底端距离要大于30mm.

若是距离小于30mm就会遮住音头，影响录音。



## 产品参数

- \* 长: 172mm
- \* 宽: 200mm
- \* 高: 180mm
- \* 插入孔直径: 47mm
- \* 净重: 122g

版权所有©奥创电子有限公司, 所有权保留。必要的技术数据和外观更改不予以另外通知。

宁波市鄞州奥创电子有限公司

传真: 0574-87157176

全国统一服务热线: 4000-160-112

地址: 浙江省宁波市鄞州区秀丰工业区三成路76号

邮箱: sales@alctron-audio.com

电话: +86 574 88009874

网址: <http://www.alctron-audio.com>